

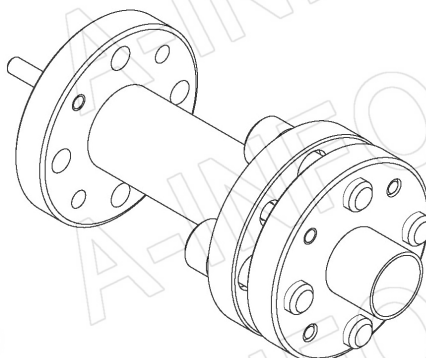
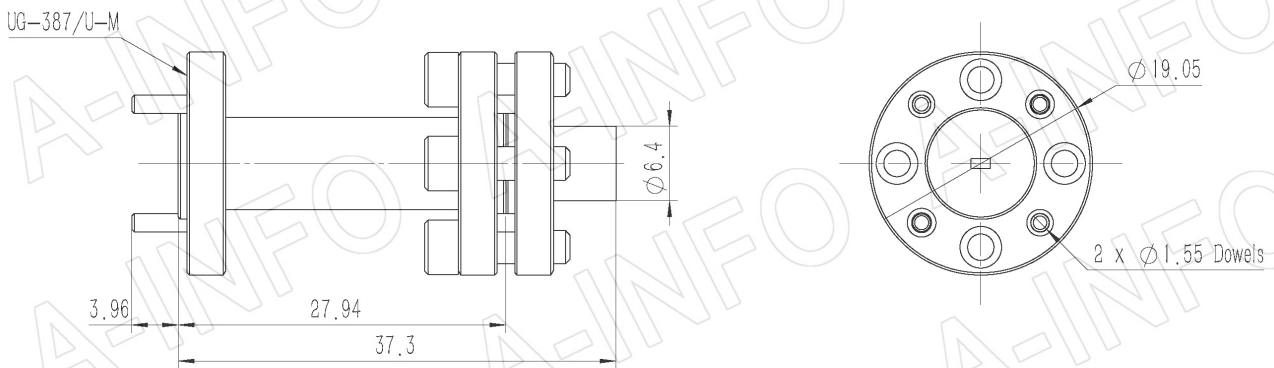
For reference only. See data sheet for the detailed specifications.

## Technical Specification



Frequency Range(GHz)	110.0 – 170.0
Waveguide	WR6
Gain(dBi)	15 Typ.
Polarization	Linear
3dB Beamwidth(deg)	E Plane: 25 Typ.
	H Plane: 29 Typ.
Cross Pol. Isolation(dB)	35 Typ.
VSWR	1.25:1 Max.
Output	UG-387/U-M
Material	Cu
Finish	Gold Plated
Size(mm)	19.05 x 19.05 x 37.3
Net Weight(Kg)	0.04 Around

## Outline Drawing (Size: mm)



## AINFO Inc.

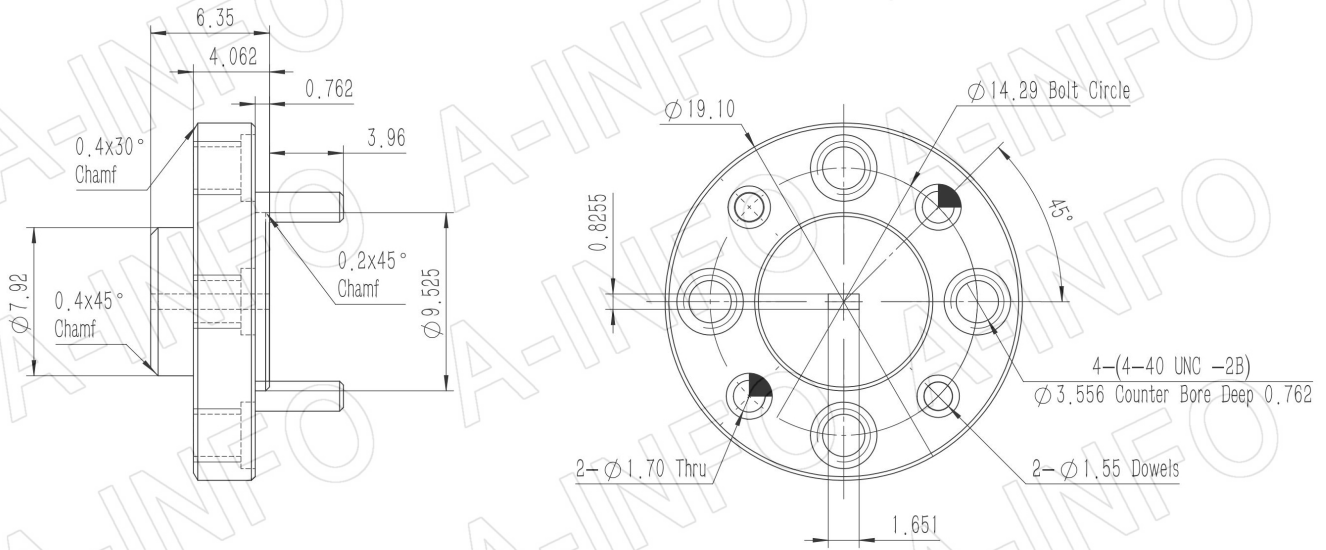
China(Beijing): Tel: (+86) 10-6266-7326,  
China(Chengdu): Tel: (+86) 28-8519-2786,  
USA: Tel: (+1) 949-639-9688,

## Page 1 of 5

(+86) 10-6266-7327 Fax: (+86) 10-6266-7379  
(+86) 28-8519-3044 Fax: (+86) 28-8519-3068  
(+1) 949-639-9608 Fax: (+1) 949-639-9670

Website: [www.ainfoinc.com](http://www.ainfoinc.com)  
Email: [sales@ainfoinc.com](mailto:sales@ainfoinc.com)

## Flange Drawing (Size: mm)



UG-387/U-M

**AINFO Inc.**

China(Beijing): Tel: (+86) 10-6266-7326,  
China(Chengdu): Tel: (+86) 28-8519-2786,  
USA: Tel: (+1) 949-639-9688,

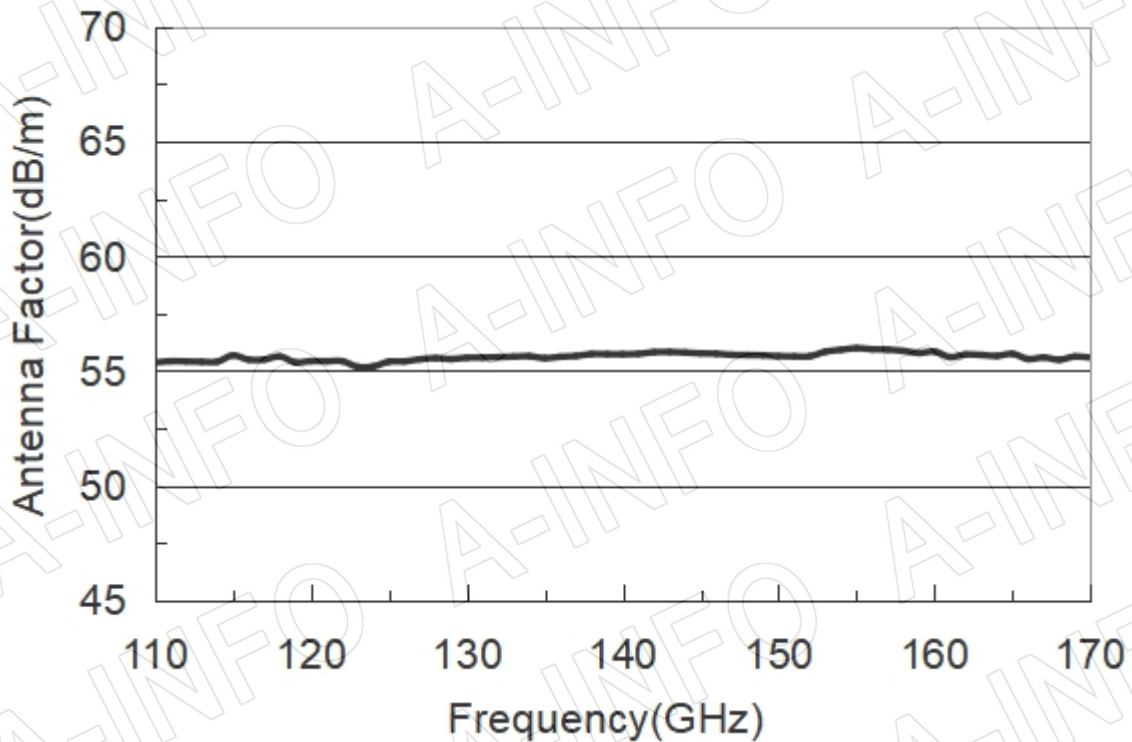
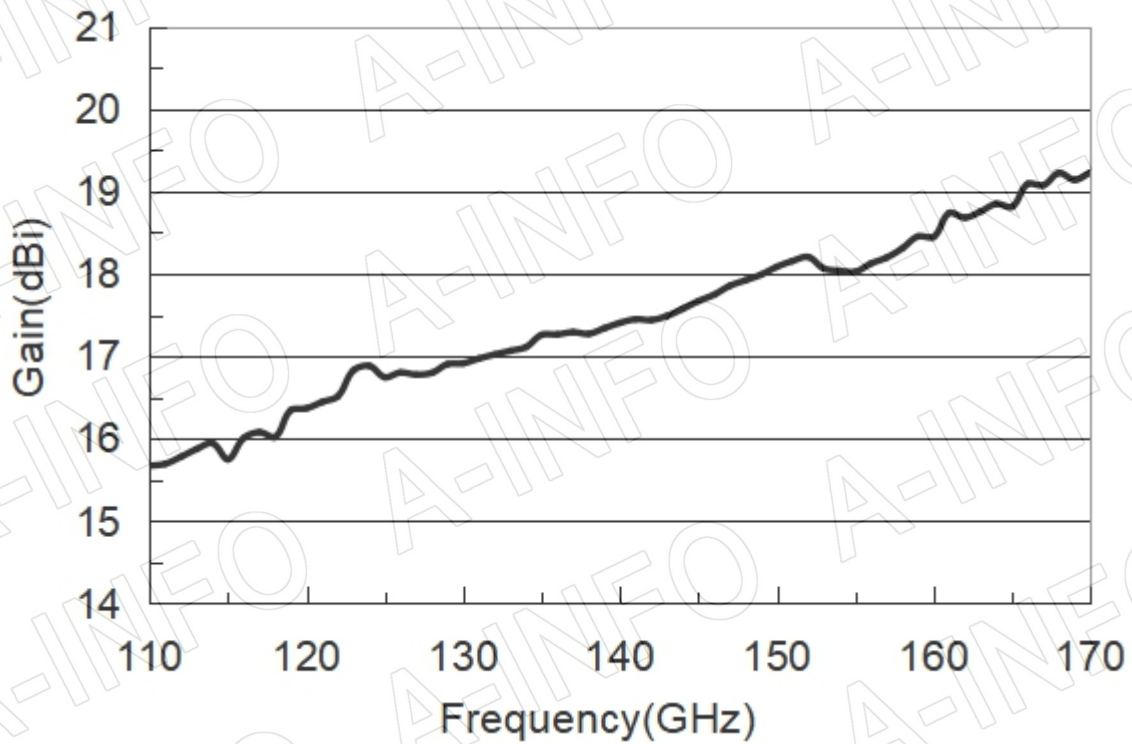
Page 2 of 5

(+86) 10-6266-7327 Fax: (+86) 10-6266-7379  
(+86) 28-8519-3044 Fax: (+86) 28-8519-3068  
(+1) 949-639-9608 Fax: (+1) 949-639-9670

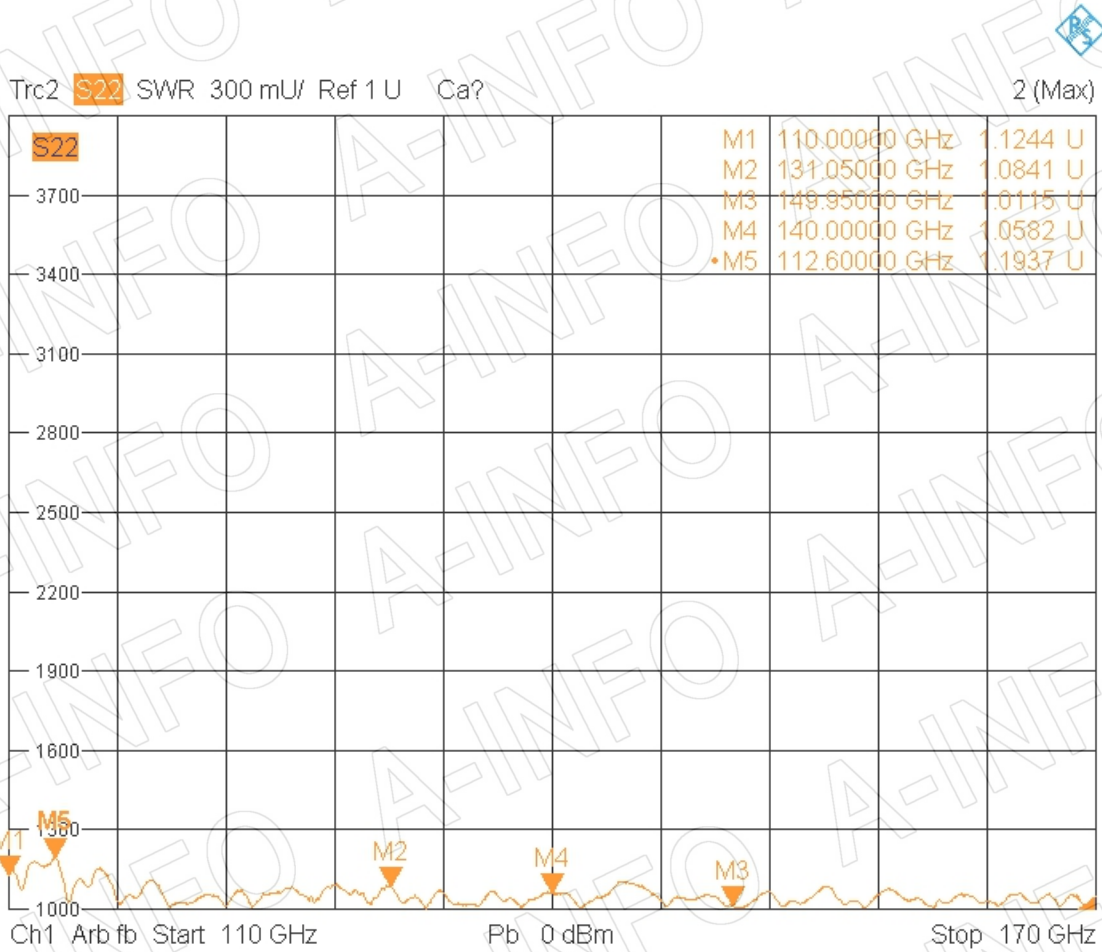
Website: [www.ainfoinc.com](http://www.ainfoinc.com)  
Email: [sales@ainfoinc.com](mailto:sales@ainfoinc.com)

## Test Results

### 1. Gain & Antenna Factor



## 2. VSWR



### 3. Pattern

